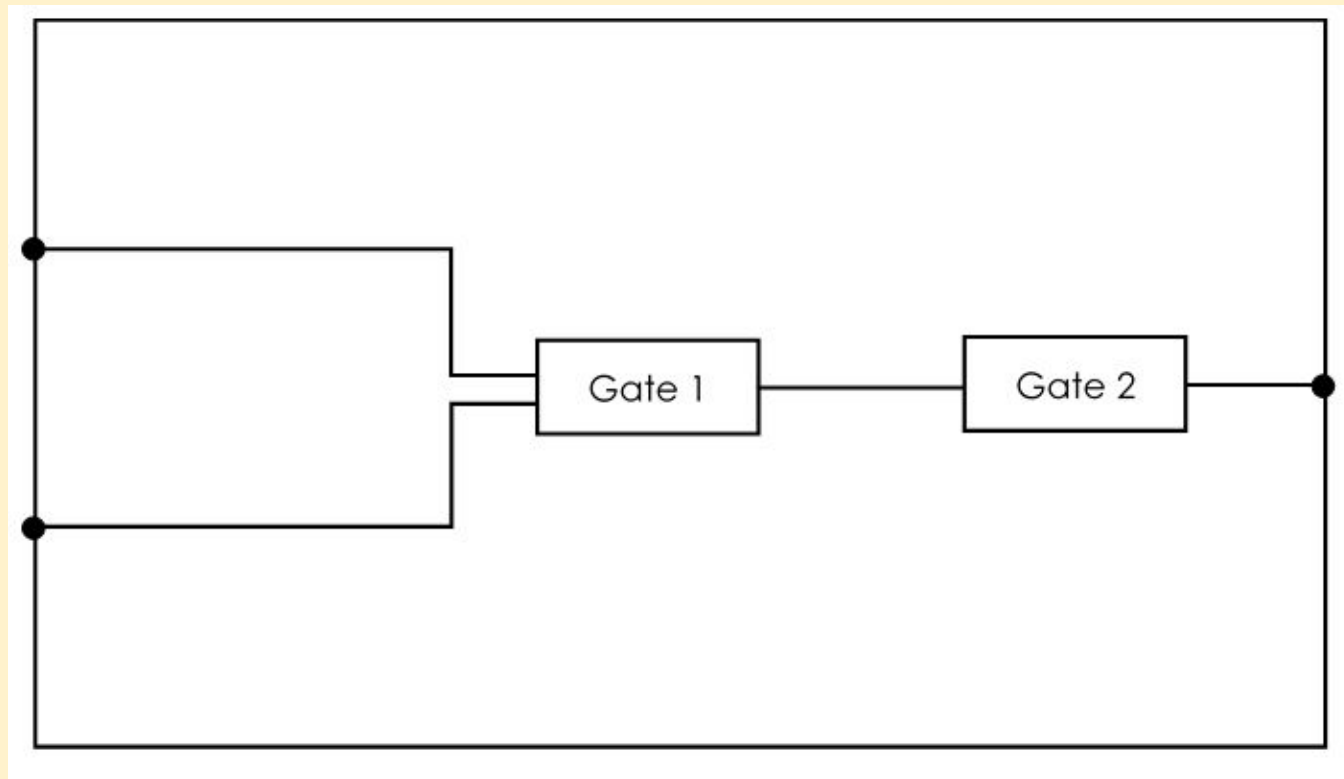
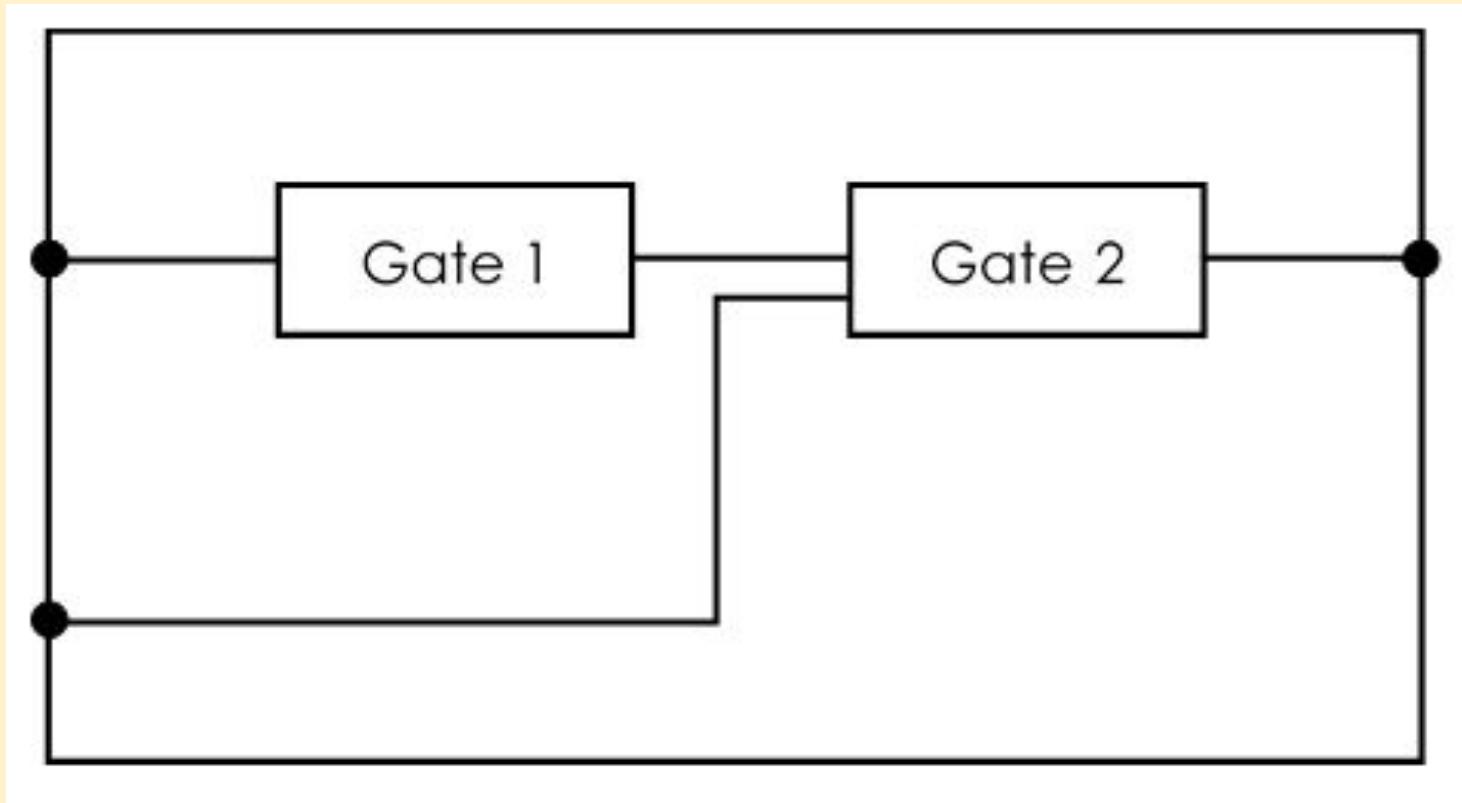


The expression **NOT(A AND B)** can be represented by the logic circuit shown below. In the circuit the logic gates are marked with labels instead of their proper symbols.



The expression **B OR (NOT A)** can be represented by the logic circuit shown below. In the circuit the logic gates are marked with labels instead of their proper symbols.



The expression **(A AND B) OR (B AND C)** can be represented by the logic circuit shown below. In the circuit the logic gates are marked with labels instead of their proper symbols.

